

NetGen[®] 5e

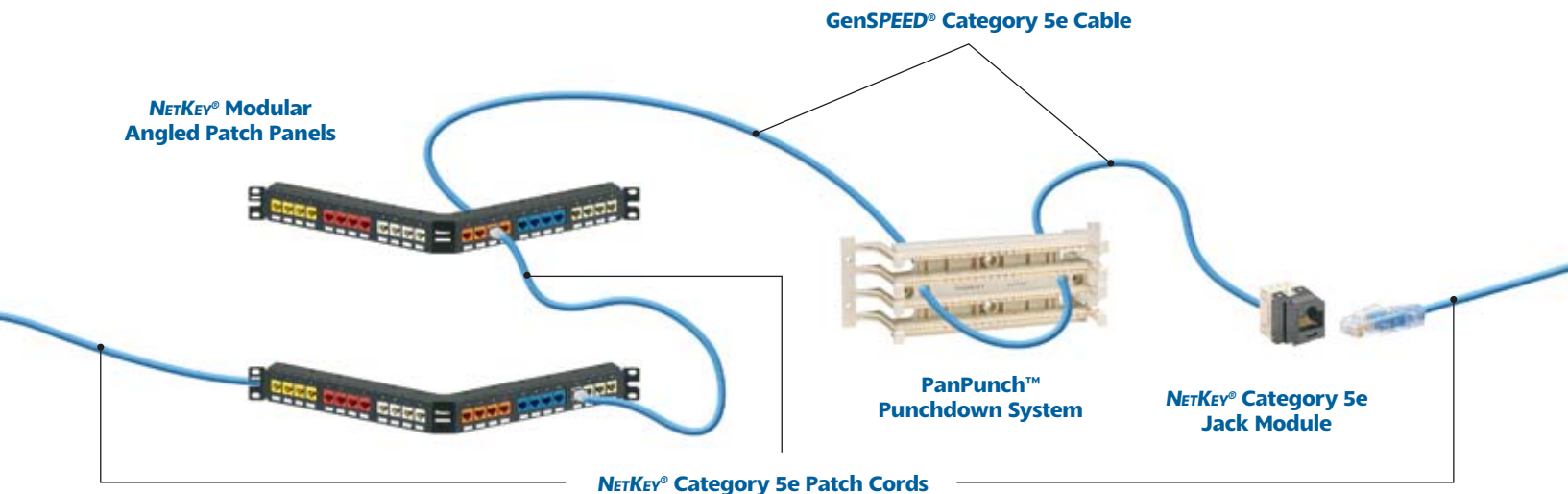
Key features and benefits of the NetGen[®] 5e solution:

- Designed to meet ANSI/TIA 568 C.2 channel requirements
- Installations covered by a 25-year comprehensive warranty program that provides performance to the latest industry standards
- A single point of contact for all NetGen[®] inquiries
- All connectivity components are 100% performance-tested
- Quick installation of NetGen[®] systems is provided through an extensive network of specially trained and certified installers

NetGen[®] 5e Solutions Deliver:

- Compliant performance on all electrical parameters to provide a system that meets all applicable TIA standards. This performance is achieved by pairing GenSPEED[®] 5000 or 5350 with NETKEY[®] Jack Modules, Patch Cords and punchdown or modular patch panels.
- Category 5e channel designed to meet the bandwidth requirements set by ANSI/TIA 568 C.2 Category 5e standards.
- TRU-Mark[®] footage marking system to help eliminate unused lengths of cable and save installation time.
- Jack modules are terminated with industry-standard 110 punchdown tool for a low installation cost.
- Patch cords include slender strain-relief boots for easy access in high-density installations and patented tangle-free latch which prevents snags and provides easy release for easy moves, adds and changes.
- Modular and punchdown patch panels.

For additional NETKEY[®] components, visit www.panduit.com/netkey



NetGen[®] 5e

NetGen[®] 5e Solution: Guaranteed to TIA/EIA Category 5e Standard

Frequency (MHz)	TIA/EIA Cat 5e Insertion Loss (dB)	TIA/EIA Cat 5e PSNEXT (dB)	TIA/EIA Cat 5e PSACR (dB)	TIA/EIA Cat 5e PSELFEXT (dB)	TIA/EIA Cat 5e Return Loss (dB)
1	2.2	57.0	54.8	54.4	17.0
4	4.5	50.5	46.0	42.4	17.0
10	7.1	44.0	36.9	34.4	17.0
16	9.1	40.6	31.5	30.3	17.0
20	10.2	39.0	28.8	28.4	17.0
31.25	12.9	35.7	22.8	24.5	15.1
62.5	18.6	30.6	12.0	18.5	12.1
100	24.0	27.1	3.1	14.4	10.0

GENERAL CABLE Category 5e Cable

Jacket Color	GS 5000 Pull-Pac [®] II		GS 5350 Pull-Pac [®] II	
	CMR (Non-Plenum)	CMP (Plenum)	CMR (Non-Plenum)	CMP (Plenum)
Blue	5133299E	5131278E	6133712	6131690
White	5133255E	5131361E	6133713	6131691
Yellow	5133289E	5131379E	6133715	6131693
Gray	5133200E	5131418E	6133714	6131692
Red	5133274E	5131477E		
Orange	5133383E	5131422E	6133761	
Green	5133512E	5131547E		6131699
Black	5133696E	5131683E		6131707
Pink	5133290E	5131380E		
Purple	5133445E	5131730E		



PANDUIT Category 5e Components

Connector Part Number	Description
NKP5E88M**	NETKey [®] Category 5e Punchdown Jack Module
NK5E88MY**	NETKey [®] Category 5e Leadframe Jack Module

NOTE: ** denotes color description. When ordering, substitute the following in the ** area: BL (Black); BU (Blue); GR (Green); IG (International Gray); EI (Electric Ivory); IW (Off White); OR (Orange); WH (White); RD (Red); YL (Yellow).

Patch Cord Part Number	Description
NK5EPC3Y**	NETKey [®] Category 5e Patch Cord, 3 Ft.
NK5EPC5Y**	NETKey [®] Category 5e Patch Cord, 5 Ft.
NK5EPC7Y**	NETKey [®] Category 5e Patch Cord, 7 Ft.
NK5EPC10Y**	NETKey [®] Category 5e Patch Cord, 10 Ft.
NK5EPC14Y**	NETKey [®] Category 5e Patch Cord, 14 Ft.
NK5EPC20Y**	NETKey [®] Category 5e Patch Cord, 20 Ft.

NOTE: ** denotes color description. When ordering, substitute the following in the ** area: BU (Blue); GR (Green); RD (Red); YL (Yellow).

Patch Panel Part Number	Description	Number of Rack Spaces
NK5EPPG12WY	12 port Category 5e punchdown patch panel. Mounts to 89D bracket	1
NK5EPPG24Y	24 port Category 5e punchdown patch panel	1
NK5EPPG48Y	48 port Category 5e punchdown patch panel	1
NKPPA24FMY	24 port angled flush mount modular patch panel	1
NKPPA48FMY	48 port angled flush mount modular patch panel	1
NKPP24FMY	24 port flat flush mount modular patch panel	1
NKPP48FMY	48 port flat flush mount modular patch panel	1